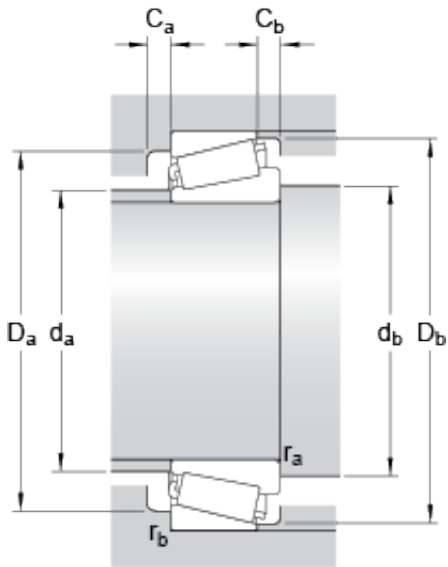




# GARLOCK BEARINGS LTD



Inch Taper Rolling Bearing 37425/37625  
 37421/37625 3767/3720 3779/3720 3780/3720  
 385/382A ...

Bearing No. 37425/37625

37425/37625 Bearing 2D drawings and 3D CAD models

Dimension series	37000
d	107.95 mm
D	158.75 mm
T	23.02 mm
d <sub>1</sub>	132.53 mm
B	21.438 mm
C	15.875 mm
r <sub>1,2</sub> min.	3.5 mm
r <sub>3,4</sub> min.	3.3 mm
a	36.611 mm
d <sub>a</sub> max.	120 mm
d <sub>b</sub> min.	122.5 mm
D <sub>a</sub> min.	140 mm
D <sub>a</sub> max.	145.5 mm
D <sub>b</sub> min.	149 mm
C <sub>a</sub> min.	4 mm
C <sub>b</sub> min.	7 mm
r <sub>a</sub> max.	3.5 mm
r <sub>b</sub> max.	3.3 mm
Basic dynamic load rating C	124 kN
Basic static load rating C <sub>0</sub>	163 kN
Fatigue load limit P <sub>u</sub>	18.3 kN
Reference speed	3200 r/min
Limiting speed	3800 r/min
Calculation factor e	0.6



## GARLOCK BEARINGS LTD

Calculation factor Y	1
Calculation factor $Y_0$	0.6
Mass bearing	1.38 kg