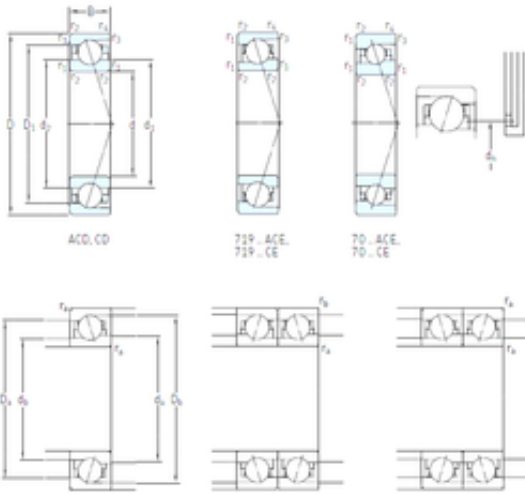




GARLOCK BEARINGS LTD

7207 CD/P4A SKF High Speed Angular Contact Ball Bearings

Bearing No. 7207 CD/P4A



7207 CD/P4A Bearing 2D drawings and 3D CAD models

Size	35x72x17 mm
Bore Diameter	35 mm
Outer Diameter	72 mm
Width	17 mm
d	35 mm
D	72 mm
B	17 mm
C	17 mm
d1	46,8 mm
d2	46,8 mm
r1 min.	1,1 mm
r2 min.	1,1 mm
r3 min.	0,3 mm
r4 min.	0,3 mm
D1	60,2 mm
D2	63,2 mm
da min.	42 mm
Da max.	65 mm
db min	42 mm
ra max.	1 mm
rb max.	0,3 mm
dh	49,7 mm
Db max	69,6 mm
Weight	0,29 Kg
Basic dynamic load rating (C)	31,9 kN



GARLOCK BEARINGS LTD

Basic static load rating (C0)	21,6 kN
(Grease) Lubrication Speed	20 000 r/min
(Oil) Lubrication Speed	34 000 r/min
Fatigue load limit (Pu)	0,915
Category	Precision Ball Bearings
Inventory	0.0
Manufacturer Name	SKF
Minimum Buy Quantity	N/A
Weight / Kilogram	0.294
Product Group	B04270
Enclosure	Open
Precision Class	ABEC 7 ISO P4
Material - Ball	Steel
Number of Bearings	1 (Single)
Contact Angle	15 Degree
Preload	None
Raceway Style	1 Rib Outer Ring
Cage Material	Phenolic
Rolling Element	Ball Bearing
Flush Ground	No
Inch - Metric	Metric
Other Features	Single Row Angular Contact Super Precision High Capacity
Long Description	35MM Bore; 72MM Outside Diameter; 17MM Width; Open Enclosure; ABEC 7 ISO P4 Precision; Steel Ball Material; 1 (Single) Bearings; 15 Degree Contact Angle; Phenolic Cage Material; 1 Rib Outer Ring Rac
Category	Precision Ball Bearings
UNSPSC	31171531



GARLOCK BEARINGS LTD

Harmonized Tariff Code	8482.10.50.28
Noun	Bearing
Keyword String	Angular Contact Ball
Manufacturer URL	http://www.skf.com
Manufacturer Item Number	7207 CD/P4A
Weight / LBS	0.648
Bore	1.378 Inch 35 Millimeter
Width	0.669 Inch 17 Millimeter
Outside Diameter	2.835 Inch 72 Millimeter
d_1	46.8 mm
d_2	46.8 mm
D_1	60.2 mm
$r_{1,2}$ min.	1.1 mm
$r_{3,4}$ min.	0.3 mm
a	15.7 mm
d_a min.	42 mm
d_b min.	42 mm
D_a max.	65 mm
D_b max.	69.6 mm
r_a max.	1 mm
r_b max.	0.3 mm
d_n	49.7 mm
Basic dynamic load rating C	31.9 kN
Basic static load rating C_0	21.6 kN
Fatigue load limit P_u	0.915 kN
Attainable speed for grease lubrication	20000 r/min
Attainable speed for oil-air lubrication	34000 r/min
Ball diameter D_w	11.112 mm
Number of balls z	13
Reference grease quantity G_{ref}	3.903 cm ³



GARLOCK BEARINGS LTD

Preload class A G_A	120 N
Static axial stiffness, preload class A	50 N/ μ m
Preload class B G_B	240 N
Static axial stiffness, preload class B	67 N/ μ m
Preload class C G_C	480 N
Static axial stiffness, preload class C	94 N/ μ m
Preload class D G_D	960 N
Static axial stiffness, preload class D	136 N/ μ m
Calculation factor f	1.05
Calculation factor f_1	1
Calculation factor f_{2A}	1
Calculation factor f_{2B}	1.01
Calculation factor f_{2C}	1.03
Calculation factor f_{2D}	1.05
Calculation factor f_{HC}	1
Calculation factor f_0	13.9
Mass bearing	0.28 kg