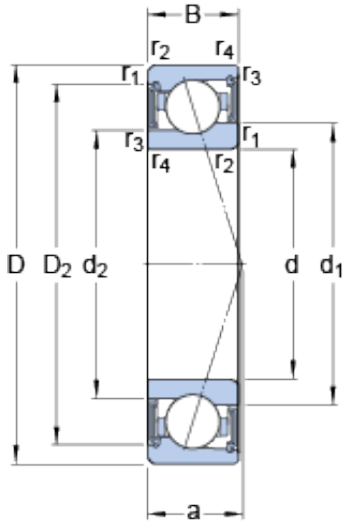




GARLOCK BEARINGS LTD



S71907 CE/P4A Bearing 2D drawings and 3D CAD models

S71907 CE/P4A SKF High Speed Angular Contact Ball Bearings

Bearing No. S71907 CE/P4A

Size	55x35x10 mm
Bore Diameter	55 mm
Outer Diameter	35 mm
Width	10 mm
d	35 mm
D	55 mm
B	10 mm
d ₁	41.7 mm
d ₂	40.2 mm
D ₂	50.3 mm
r _{1,2} - min.	0.6 mm
r _{3,4} - min.	0.3 mm
a	11.4 mm
d _a - min.	38.2 mm
d _a - max.	41.3 mm
d _b - min.	37 mm
d _b - max.	39.8 mm
D _a - max.	51.8 mm
D _b - max.	53 mm
r _a - max.	0.6 mm
r _b - max.	0.3 mm
Basic dynamic load rating - C	7.6 kN
Basic static load rating - C ₀	4.8 kN
Fatigue load limit - P _u	0.2 kN



GARLOCK BEARINGS LTD

Limiting speed for grease lubrication	36000 r/min
Ball - D_w	5.556 mm
Ball - z	19
Calculation factor - f_0	8.3
Preload class A - G_A	41 N
Preload class B - G_B	125 N
Preload class C - G_C	250 N
Calculation factor - f	1.05
Calculation factor - f	1
Calculation factor - f_{2A}	1
Calculation factor - f_{2B}	1.04
Calculation factor - f_{2C}	1.08
Calculation factor - f_{HC}	1
Preload class A	28 N/micron
Preload class B	43 N/micron
Preload class C	59 N/micron
d_1	41.7 mm
d_2	40.2 mm
D_2	50.3 mm
$r_{1,2}$ min.	0.6 mm
$r_{3,4}$ min.	0.3 mm
d_a min.	38.2 mm
d_a max.	41.3 mm
d_b min.	37 mm
d_b max.	39.8 mm
D_a max.	51.8 mm
D_b max.	53 mm
r_a max.	0.6 mm
r_b max.	0.3 mm
Basic dynamic load rating C	7.61 kN



GARLOCK BEARINGS LTD

Basic static load rating C_0	4.75 kN
Fatigue load limit P_u	0.2 kN
Attainable speed for grease lubrication	36000 r/min
Ball diameter D_w	5.556 mm
Number of balls z	19
Preload class A G_A	41 N
Static axial stiffness, preload class A	28 N/ μ m
Preload class B G_B	125 N
Static axial stiffness, preload class B	43 N/ μ m
Preload class C G_C	250 N
Static axial stiffness, preload class C	59 N/ μ m
Calculation factor f	1.05
Calculation factor f_1	1
Calculation factor f_{2A}	1
Calculation factor f_{2B}	1.04
Calculation factor f_{2C}	1.08
Calculation factor f_{HC}	1
Calculation factor f_0	8.3
Mass bearing	0.074 kg