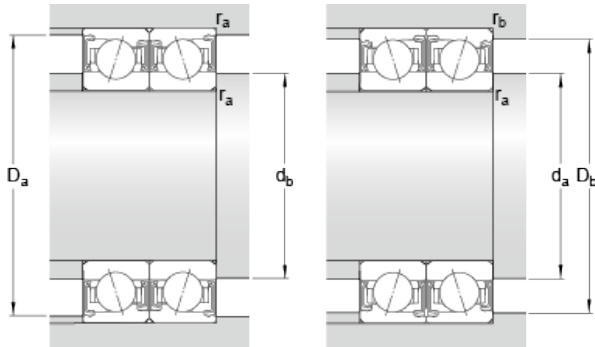




GARLOCK BEARINGS LTD



S7007 CDTP/HCP4B SKF High Speed Angular Contact Ball Bearings

Bearing No. S7007 CDTP/HCP4B

S7007 CDTP/HCP4B Bearing 2D drawings and 3D CAD models

d	35 mm
D	62 mm
B	14 mm
d ₁	43.7 mm
d ₂	43.7 mm
D ₂	55.57 mm
r _{1,2} min.	1 mm
r _{3,4} min.	0.3 mm
a	13.6 mm
d _a min.	39.6 mm
d _a max.	43.2 mm
d _b min.	39.6 mm
d _b max.	43.2 mm
D _a max.	57.4 mm
D _b max.	60 mm
r _a max.	1 mm
r _b max.	0.3 mm
Basic dynamic load rating C	15.6 kN
Basic static load rating C ₀	9.5 kN
Fatigue load limit P _u	0.4 kN
Attainable speed for grease lubrication	28000 r/min
Ball diameter D _w	7.938 mm
Number of balls z	16
Preload class A G _A	60 N
Static axial stiffness, preload	39 N/ μ m



GARLOCK BEARINGS LTD

class A	
Preload class B G_B	120 N
Static axial stiffness, preload class B	52 N/ μ m
Preload class C G_C	240 N
Static axial stiffness, preload class C	71 N/ μ m
Preload class D G_D	480 N
Static axial stiffness, preload class D	100 N/ μ m
Calculation factor f	1.06
Calculation factor f_1	1
Calculation factor f_{2A}	1
Calculation factor f_{2B}	1.02
Calculation factor f_{2C}	1.05
Calculation factor f_{2D}	1.09
Calculation factor f_{HC}	1.02
Calculation factor f_0	9.7
Mass bearing	0.13 kg