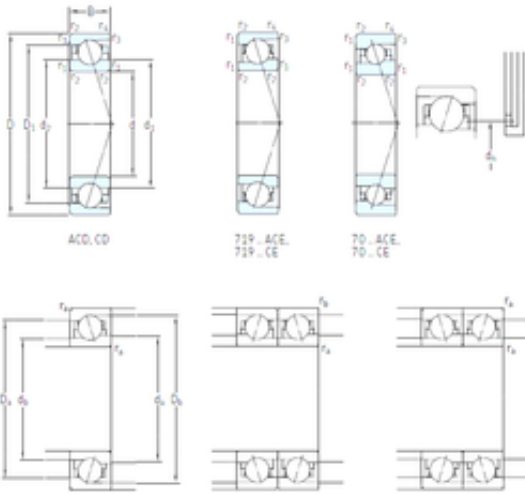




GARLOCK BEARINGS LTD

71908 CB/P4A SKF High Speed Angular Contact Ball Bearings

Bearing No. 71908 CB/P4A



71908 CB/P4A Bearing 2D drawings and 3D CAD models

Size	40x62x12 mm
Bore Diameter	40 mm
Outer Diameter	62 mm
Width	12 mm
d	40 mm
D	62 mm
B	12 mm
C	12 mm
d1	48,5 mm
d2	47,6 mm
r1 min.	0,6 mm
r2 min.	0,6 mm
r3 min.	0,3 mm
r4 min.	0,3 mm
D1	55,6 mm
D2	55,6 mm
da min.	43,2 mm
Da max.	58,8 mm
db min	43,2 mm
ra max.	0,6 mm
rb max.	0,3 mm
dh	49,1 mm
Db max	60 mm
Weight	0,12 Kg
Basic dynamic load rating (C)	5,4 kN



GARLOCK BEARINGS LTD

Basic static load rating (C ₀)	4,15 kN
(Grease) Lubrication Speed	30 000 r/min
(Oil) Lubrication Speed	45 000 r/min
Fatigue load limit (P _u)	0,176
d ₁	48.46 mm
d ₂	47.6 mm
D ₂	55.64 mm
r _{1,2} min.	0.6 mm
r _{3,4} min.	0.3 mm
a	14.8 mm
d _a min.	43.2 mm
d _b min.	43.2 mm
D _a max.	58.8 mm
D _b max.	60 mm
r _a max.	0.6 mm
r _b max.	0.3 mm
d _n	49.1 mm
Basic dynamic load rating C	7.15 kN
Basic static load rating C ₀	6.95 kN
Fatigue load limit P _u	0.176 kN
Attainable speed for grease lubrication	30000 r/min
Attainable speed for oil-air lubrication	45000 r/min
Ball diameter D _w	3.969 mm
Number of balls z	28
Reference grease quantity G _{ref}	1.38 cm ³
Preload class A G _A	18 N
Static axial stiffness, preload class A	25 N/ μ m
Preload class B G _B	36 N
Static axial stiffness, preload class B	32 N/ μ m



GARLOCK BEARINGS LTD

Preload class C G_C	110 N
Static axial stiffness, preload class C	52 N/ μ m
Calculation factor f	1.06
Calculation factor f_1	1
Calculation factor f_{2A}	1
Calculation factor f_{2B}	1.02
Calculation factor f_{2C}	1.07
Calculation factor f_{HC}	1
Calculation factor f_0	9.8
Mass bearing	0.12 kg