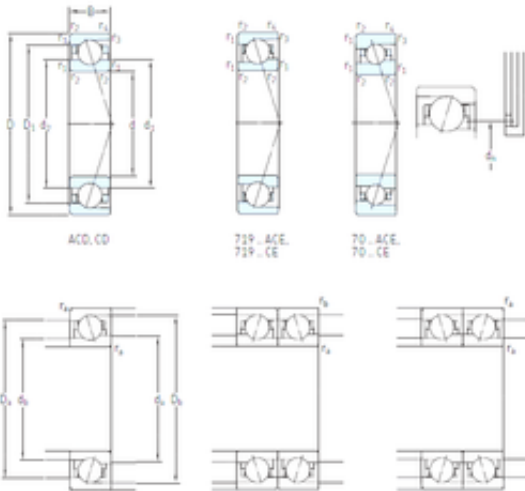




GARLOCK BEARINGS LTD

71908 CD/HCP4A SKF High Speed Angular Contact Ball Bearings

Bearing No. 71908 CD/HCP4A



71908 CD/HCP4A Bearing 2D drawings and 3D CAD models

Size	40x62x12 mm
Bore Diameter	40 mm
Outer Diameter	62 mm
Width	12 mm
d	40 mm
D	62 mm
B	12 mm
C	12 mm
d1	47,1 mm
d2	47,1 mm
r1 min.	0,6 mm
r2 min.	0,6 mm
r3 min.	0,3 mm
r4 min.	0,3 mm
D1	54,9 mm
D2	57,1 mm
da min.	43,2 mm
Da max.	58,8 mm
db min	43,2 mm
ra max.	0,6 mm
rb max.	0,3 mm
dh	48,7 mm
Db max	60,6 mm
Weight	0,1 Kg
Basic dynamic load rating (C)	12,4 kN



GARLOCK BEARINGS LTD

Basic static load rating (C0)	8,5 kN
(Grease) Lubrication Speed	28 000 r/min
(Oil) Lubrication Speed	40 000 r/min
Fatigue load limit (Pu)	0,36
Category	Precision Ball Bearings
Inventory	0.0
Manufacturer Name	SKF
Minimum Buy Quantity	N/A
Weight / Kilogram	0
Product Group	B04270
Enclosure	Open
Precision Class	ABEC 7 ISO P4
Material - Ball	Ceramic
Number of Bearings	1 (Single)
Contact Angle	15 Degree
Preload	None
Raceway Style	1 Rib Outer Ring
Cage Material	Phenolic
Rolling Element	Ball Bearing
Flush Ground	No
Inch - Metric	Metric
Other Features	Single Row Angular Contact High Capacity Basic Design
Long Description	40MM Bore; 62MM Outside Diameter; 12MM Width; Open Enclosure; ABEC 7 ISO P4 Precision; Ceramic Ball Material; 1 (Single) Bearing; 15 Degree Contact Angle; Phenolic Cage Material; 1 Rib Outer Ring Ra
Category	Precision Ball Bearings
UNSPSC	31171531



GARLOCK BEARINGS LTD

Harmonized Tariff Code	8482.10.50.28
Noun	Bearing
Keyword String	Ball Angular Contact
Manufacturer URL	http://www.skf.com
Bore	1.575 Inch 40 Millimeter
Width	0.472 Inch 12 Millimeter
Outside Diameter	2.441 Inch 62 Millimeter
d_1	47.1 mm
d_2	47.1 mm
D_1	54.9 mm
$r_{1,2}$ min.	0.6 mm
$r_{3,4}$ min.	0.3 mm
a	12.9 mm
d_a min.	43.2 mm
d_b min.	43.2 mm
D_a max.	58.8 mm
D_b max.	60.6 mm
r_a max.	0.6 mm
r_b max.	0.3 mm
d_n	48.7 mm
Basic dynamic load rating C	12.4 kN
Basic static load rating C_0	8.5 kN
Fatigue load limit P_u	0.36 kN
Attainable speed for grease lubrication	28000 r/min
Attainable speed for oil-air lubrication	40000 r/min
Ball diameter D_w	6.35 mm
Number of balls z	21
Reference grease quantity G_{ref}	1.44 cm ³
Preload class A G_A	45 N
Static axial stiffness, preload	40 N/ μ m



GARLOCK BEARINGS LTD

class A	
Preload class B G_B	90 N
Static axial stiffness, preload class B	54 N/ μ m
Preload class C G_C	180 N
Static axial stiffness, preload class C	73 N/ μ m
Preload class D G_D	360 N
Static axial stiffness, preload class D	103 N/ μ m
Calculation factor f	1.09
Calculation factor f_1	1
Calculation factor f_{2A}	1
Calculation factor f_{2B}	1.07
Calculation factor f_{2C}	1.12
Calculation factor f_{2D}	1.18
Calculation factor f_{HC}	1.04
Calculation factor f_0	10.4
Mass bearing	0.1 kg